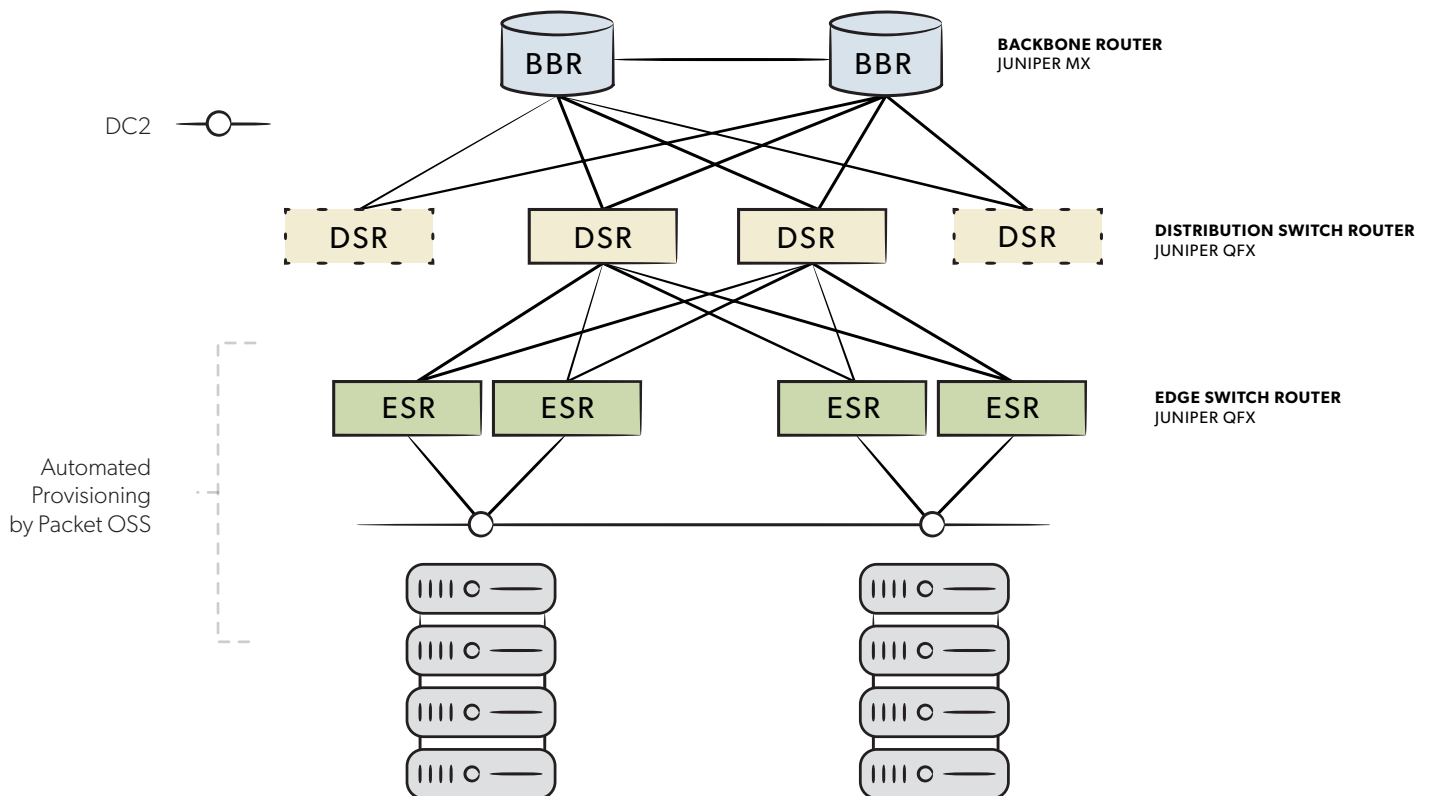


REFERENCE TOPOLOGY

Our standard deployment is designed for “cloud provider” level redundancy and throughput, and features a fully routed Layer 3 design.

Packet’s automation is achieved without a required hypervisor or overlay network, so you’re free to run any software or architecture on top of your Packet-powered private bare metal cloud.

Need an L2? No worries, we offer an advanced VXLAN support as part of the platform.



Flexible server attach at 1G, 10G, 25G/40G or 100G.